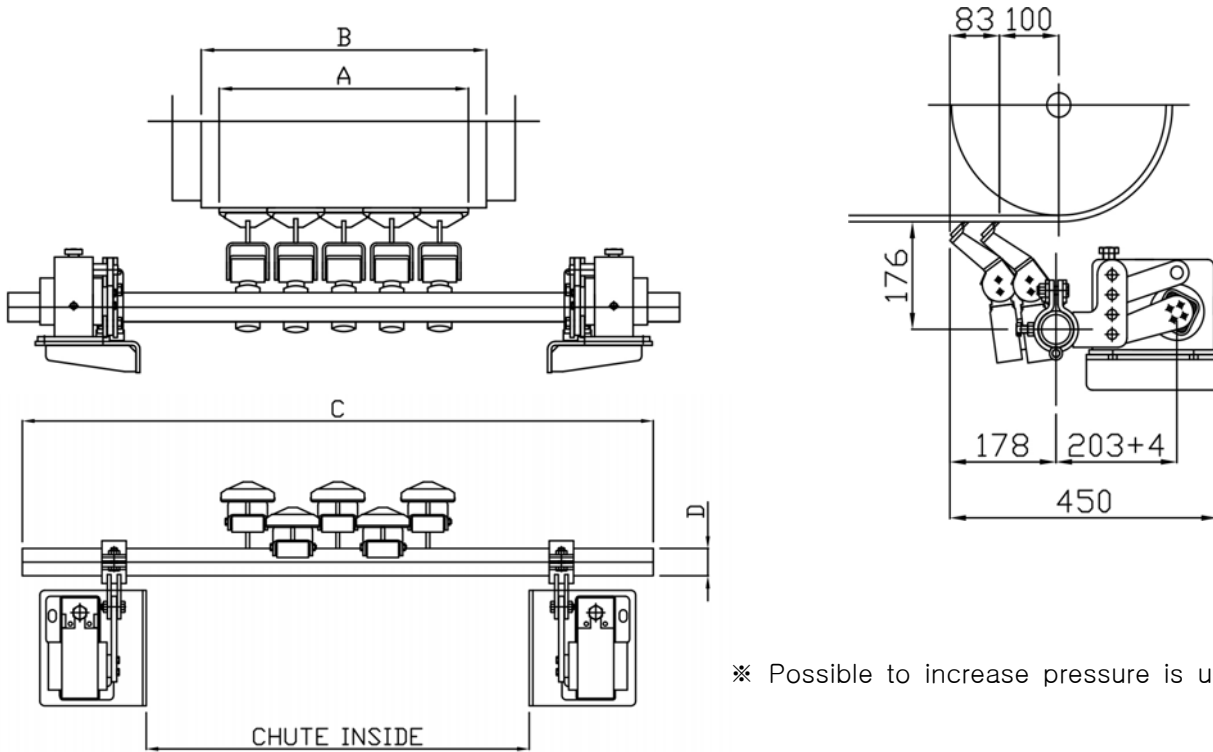


Rubber Suspension Blade Scraper Type LCS1-3S1



※ Possible to increase pressure is up to 65 mm

Model	Belt size	Tip Size	Module	Body size	D
	A[mm]	B[mm]	Q`ty	C[mm]	
LCS1-3S1	400	320	3	1200	∅60.5
	500	420	4	1300	
	550	420	4	1350	
	600	520	5	1400	
	750	620	6	1500	
	800	620	6	1600	
	900	720	7	1700	
	1000	820	8	1800	

Without applying pressure above drawing shows the scraper.

During installation, the installation manual is required.